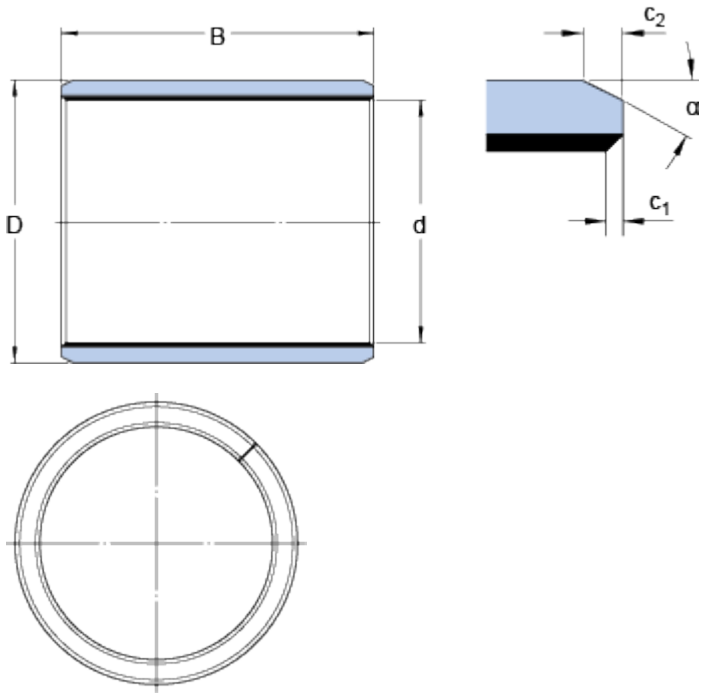


PCM 141620 E

Dimensions



d		14	mm
D		16	mm
B		20	mm
c ₁	min.	0.1	mm
c ₁	max.	0.6	mm
c ₂	min.	0.2	mm
c ₂	max.	1	mm
α	±8	20	°

Recommended fits

Tolerance shaft	f7
Tolerance housing	H7

Calculation data

Basic dynamic load rating C - radial direction	C		22.4	kN
Basic static load rating - radial direction	C ₀		70	kN
Specific dynamic load factor	K		80	N/mm ²
Specific static load factor	K ₀		250	N/mm ²
Factor depending on material and bearing type	K _M		480	
Permissible sliding velocity	v	min.	0	m/s
Permissible sliding velocity	v	max.	2	m/s
Coefficient of friction	μ	min.	0.03	
Coefficient of friction	μ	max.	0.25	

Mass

Mass bushing		0.007	kg
--------------	--	-------	----

